



बैंक नोट पेपर मिल इण्डिया प्रा. लिमिटेड

BANK NOTE PAPER MILL INDIA PVT LIMITED

JV of SPMCIL - A Govt. of India Enterprises & BRBNMPL - A Subsidiary of RBI

**BANK NOTE PAPER MILL INDIA PRIVATE LIMITED**  
**CIN: U21090KA2010PTC055475 | CORPORATE OFFICE, MYSORE**

[vaishnavi.shankar@bnpmindia.com](mailto:vaishnavi.shankar@bnpmindia.com)

Ph: 0821 2401 175

**Open Tender Enquiry No. BNPM/OTE/ Rubber Headed Stopper Bolts/0876/2022-23**  
**Enquiry for supply of Rubber Headed Stopper Bolts**

**Issuing Date: 28.02.2023**

**Closing Date: 07.03.2023**

**A. Scope of supply:** Supply of following items:

S No	Item Description	UOM	Quantity
1	Rubber Headed Stopper Bolts (Full Threaded) • Size: M8x30 mm	Nos.	200

S. No	Particulars	Quantity
1.	Payment Terms	100% within 30 days from date of receipt and acceptance of goods by the consignee at destination and on production of all required documents by the supplier.
2.	Price	Price should be inclusive of all taxes & duties.
3.	Freight	Shall be included in quoted price.
4.	Packing & Forwarding	Shall be included in quoted price.
5.	Delivery Terms	F.O.R – Bank Note Paper Mill India Private Limited, Mysore.
6.	Warranty Period	..... From date of supply at BNPM, Mysuru.
7.	Warranty Certificate	Applicable / Not Applicable
8.	Delivery Period	..... Weeks from date of receipt of purchase order.
9.	Validity of Bid	30 days from date of closing of tender.
10.	Material to be delivered at	Engineering Stores, Bank Note Paper Mill India Private Limited, Note Mudran Nagar, Mysore 570 003.
11.	Contact person	Ms. Vaishnavi Shankar P: 0821-2401175



**Open Tender Enquiry No. BNPM/OTE/ Rubber Headed Stopper Bolts/0876/2022-23**

**Price Bid Format:**

S No	Description	UOM	Qty.	Unit rate	Freight, P&F Charges	GST @ ... %	Unit rate including GST & Freight, P&F Charges	Grand total inclusive of GST and Freight, P&F Charges (F.O.R, BNPM, Mysore)
1	Rubber Headed Stopper Bolts (Full Threaded) • Size: M8x30 mm	Nos.	200					
<b>Total price inclusive of all tax, freight , P&amp;F &amp; any other charges in figures</b>								
<b>Total price inclusive of all tax, freight , P&amp;F &amp; any other charges in words</b>								

Note: Evaluation shall be done on the basis of overall effective price quoted by the bidder

**HSN Code:** (\_\_\_\_\_)

We hereby confirm that

1. We accept all terms & conditions mentioned in the enquiry.
2. Price quoted is inclusive of all taxes, P&F, freight etc. on F.O.R, BNPM, Mysore basis.
3. GST registration status: Unregistered / Compounding / Registered.
4. Bid validity: 30 days from date of closing of tender including extensions/corrigendum's (if any).
5. Bank Details: Acc. No. ....; Bank Name: .....; Branch name: .....; Branch Code: .....; IFSC: .....
6. MSEs / NSIC status: .....

**(If yes, then supporting document shall be submitted along with the offer to avail the benefits under the Procurement Policy for MSEs, Order 2012 along with its amendments)**



**Open Tender Enquiry No. BNPM/OTE/ Rubber Headed Stopper Bolts/0876/2022-23**

Signature of bidder:.....

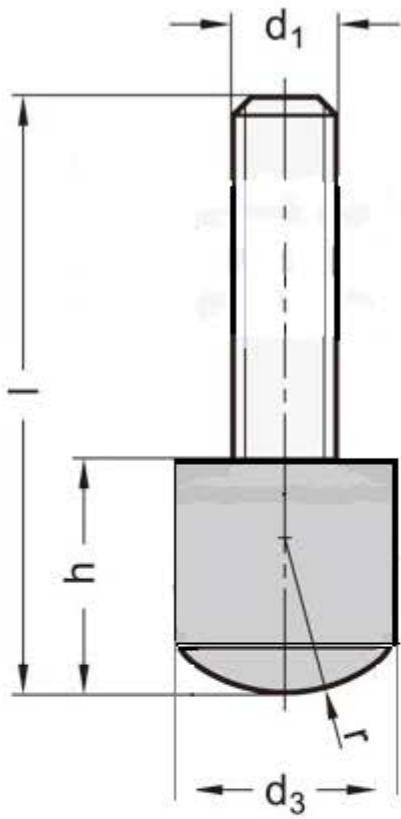
Name of the Firm:.....

Seal of the firm: .....

GST No: .....

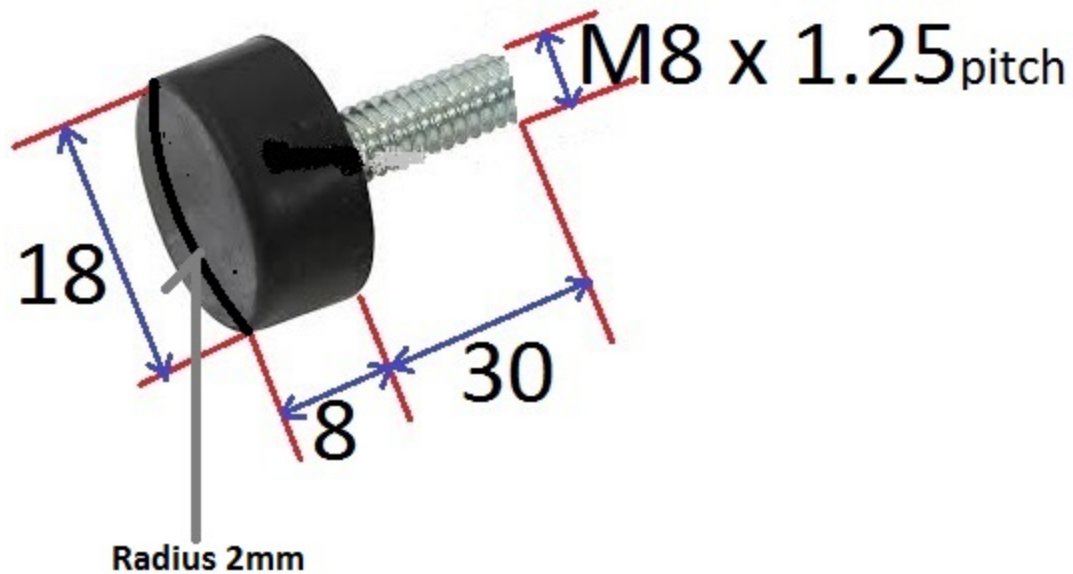
**NOTE: Interested bidders are recommended to register themselves at company's website <https://bnpmindia.com/Vendor.aspx> in order to get future enquiries of relevant items**





$d_1 = M8 \times 1.25\text{mm}$   
 $d_3 = 18\text{mm}$   
 $h = 8\text{mm}$   
 $l = 38\text{mm}$   
 $r = 2\text{mm}$

**RUBBER HEADED STOPPER BOLT  
(ROUNDED SPINDLE TIP)**



**RUBBER HEADED BOLT**